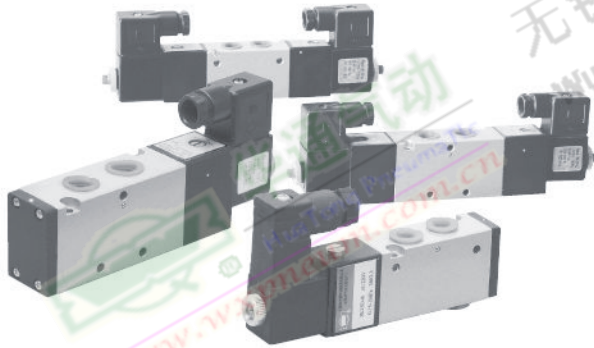


3K 系列 Serie

不供油滑柱式电气换向阀

Oil Free Pneumatic / Electrical Directional Spool Valve

3KD-L 系列管接式电控换向阀 Series Pipe Fitting Solenoid Vales

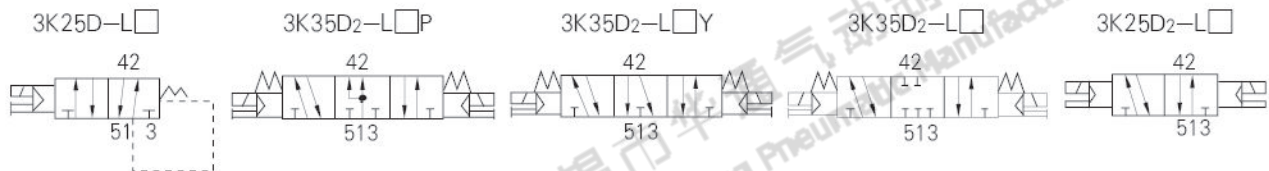


全系列共分四种规格。 通径分别04, 06, 08, 010。 适应配套气缸缸径如下:

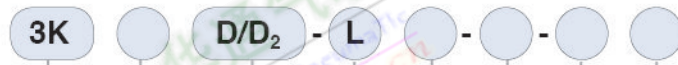
Four type in this series. There are 04, 06, 08, 010, capable of driving cylinders as follow:

通径Dia(mm)	气缸缸径 Dia Of Cylinder's Body(mm)
04	020 025 032 040
06	040 050 063 080
08	063 080 0100
010/015	0125 0140 0160

图形符号 Graphical symbols



型号注释 Note for type



系列代号	Series code
25: 二位五通, 35: 三位五通	25: 5/2 Way, 35: 5/3 Way
D: 单电控 D ₂ : 双电控	D: Single solenoid, D ₂ : Double solenoid
管接式	Pipe fitting
公称通径: 4, 6, 8, 10, 15 DIA:	4, 6, 8, 10, 15
三位阀中位机能: 不标: 中封 Y: 中泄 P: 中压 二位阀不标	The middle position fuction valves: Nothing: Close Y: Exhaust P: Pressure No mark for 2 ways valve
电压规格: I: 24V II: AC220V	Voltage: I: 24V II: AC220V
接线盒型式: D: 导线型; 不标: 小型接线盒型	Type of terminal box D: Terminal box with lead wire: Nothing: Small terminal box

技术参数 Specification

型号(通径) Type(Dia)	4	6	8	10	15
有效截面积 Effectional area(mm ²)	4	12	23	48	50
换向时间 Activating time(sec)	25	30	40	60	
最高切换频率 Max frequency(Hz)	16	14	12	9	
控制功率 Control power(W)	<2		<3		<3
耐久性 Working life (万次)		1000			800
工作压力 Working pressure (MPa)			0.15-1		
润滑条件 Lubrication			不供油 Non-oil lubricating		

3K系列 不供油滑柱式电气换向阀
Series Oil Free Pneumatic / Electrical Directional Spool Valve3KD-L/3KD₂-L

技术参数 Specification

品种 Type	型号 Pattern	配管口径 Pipe Size	有效截面积 Effective sectional Area (mm ²)	换向时间 Activating Time (sec)	消耗功率 Consumption Power (W)	线圈温升 (E级) Coil Temperature (°C)
单电控 Single Solenoid	3K25D-L4	M5	>4	<25	<2	36
	3K25D-L6	Rc1/8	12.5	<40	<3	36
	3K25D-L8	Rc1/4	>25	<36	<3	36
	3K25D-L10	Rc3/8	>48	<55	<3	37
双电控 Double Solenoid	3K25D ₂ -L4	M5	>4	<25	<2	36
	3K25D ₂ -L6	Rc1/8	12.5	<40	<3	36
	3K25D ₂ -L8	Rc1/4	>25	<36	<3	36
	3K25D ₂ -L10	Rc3/8	>48	<55	<3	37
三位阀中封式 3 positions with middle closed	3K35D ₂ -L4	M5	>4	<60	<2	36
	3K35D ₂ -L6	Rc1/8	12.5	<60	<3	36
	3K35D ₂ -L8	Rc1/4	>25	<60	<3	36
	3K35D ₂ -L10	Rc3/8	>48	<65	<3	37
三位阀中压式 3 positions with middle pressure	3K35D ₂ -L4P	M5	>4	<60	<2	36
	3K35D ₂ -L6P	Rc1/8	12.5	<60	<3	36
	3K35D ₂ -L8P	Rc1/4	>25	<60	<3	36
	3K35D ₂ -L10P	Rc3/8	>48	<65	<3	37
三位阀中泄式 3 positions with middle exhaust	3K35D ₂ -L4Y	M5	>4	<60	<2	36
	3K35D ₂ -L6Y	Rc1/8	12.5	<60	<3	36
	3K35D ₂ -L8Y	Rc1/4	>25	<60	<3	36
	3K35D ₂ -L10Y	Rc3/8	>48	<65	<3	37

其他参数 Other Specification

使用流体 Medium	压缩空气 Compress Air
控制方式 Operation	先导式 Pilot-kick
工作压力 Working Pressure Range(MPa)	0.15~1
允许耐压 Max. Pressure Resistance(MPa)	1.5
环境温度 Surrounding temperature	-5~40
介质温度 Media temperature	-5~50
润滑条件 Lubrication	不供油 Non-oil Lubrication
额定电压 Voltage	DC24V 或(or) AC220V

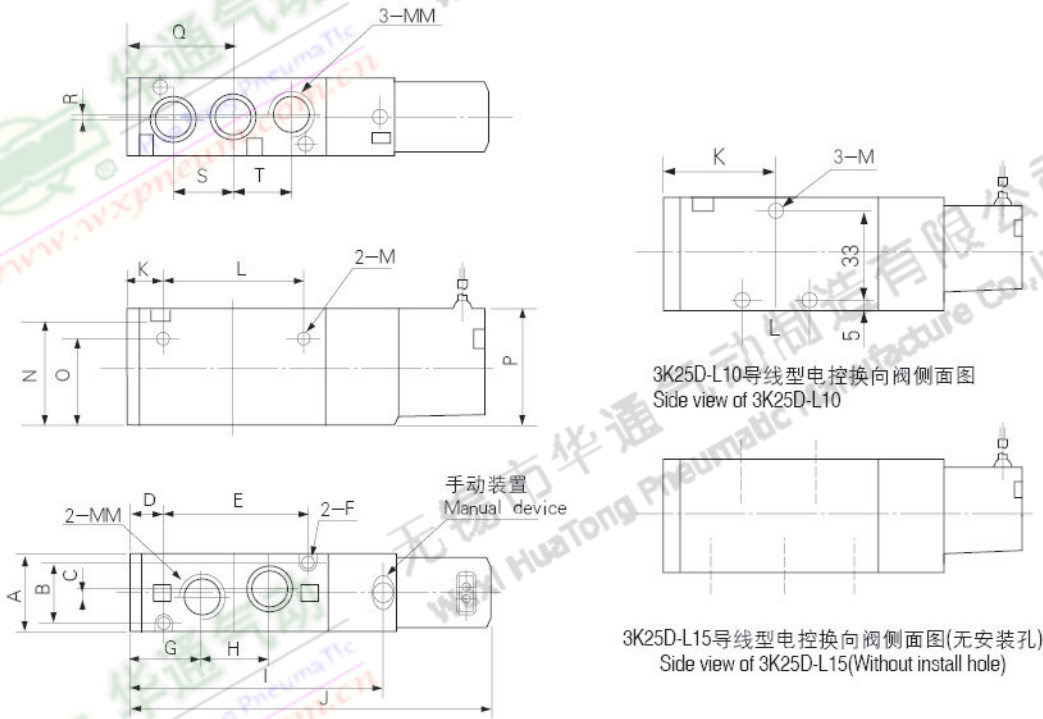
不供油滑柱式电气换向阀系列
Oil Free Pneumatic / Electrical Directional Spool Valve Series

3K
3K25D-L

外形尺寸 Outlook & Dimension

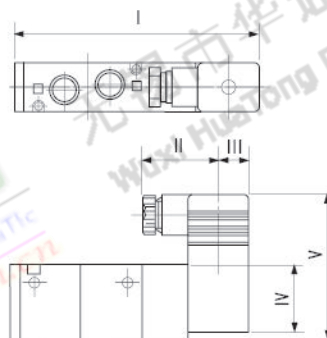
3K25D-L 二位五通单电控管接式电磁阀门 / 3K25D-L Pipe Fitting 5/2 Single Solenoid Valve

(a) 导线型 / Lead Wire



尺寸Size 型号Type	A	B	C	D	E	F	G	H	I	J	K	L	M	N	O	P	Q	R	S	T	MM
3K25D-L4	15	11	5	11	19	Ø2.7	15.5	10	49.5	84	15.3	10.5	Ø3.2	20.3	3	23	20.5	0	10.5	10.5	M5
3K25D-L6	18	13	2.2	11	34.5	Ø3.2	19.5	17	68.5	100	10.5	35	Ø3.2	25	21	28	28	2.2	13.5	13.5	Rc1/8
3K25D-L8	23	18	2	13	45	Ø3.2	24.5	21	81	119	13	44	Ø4.5	32	27.5	36	35	1	18.5	18.5	Rc1/4
3K25D-L10	29	22.3	1	15	60	Ø4.3	31.5	27	104	137	45	26	Ø4.5	38	33	43	45	1	25.5	25.5	Rc3/8
3K25D-L15	32	26	5	12.5	75	Ø3.2	35	30	114	147	-	-	-	38	-	43	50	1.5	30	30	Rc1/2

(b) 小型接线盒型 / Small Terminal Box



尺寸Size 型号Type	I	II	III	IV	V
3K25D-L4	84	21.5	7.5	23	41.5
3K25D-L6	100	21.5	7.5	26	46.5
3K25D-L8	119	36.5	14.5	36	60
3K25D-L10	137	36.5	14.5	40	73
3K25D-L15	147	36.5	14.5	40	73

3K

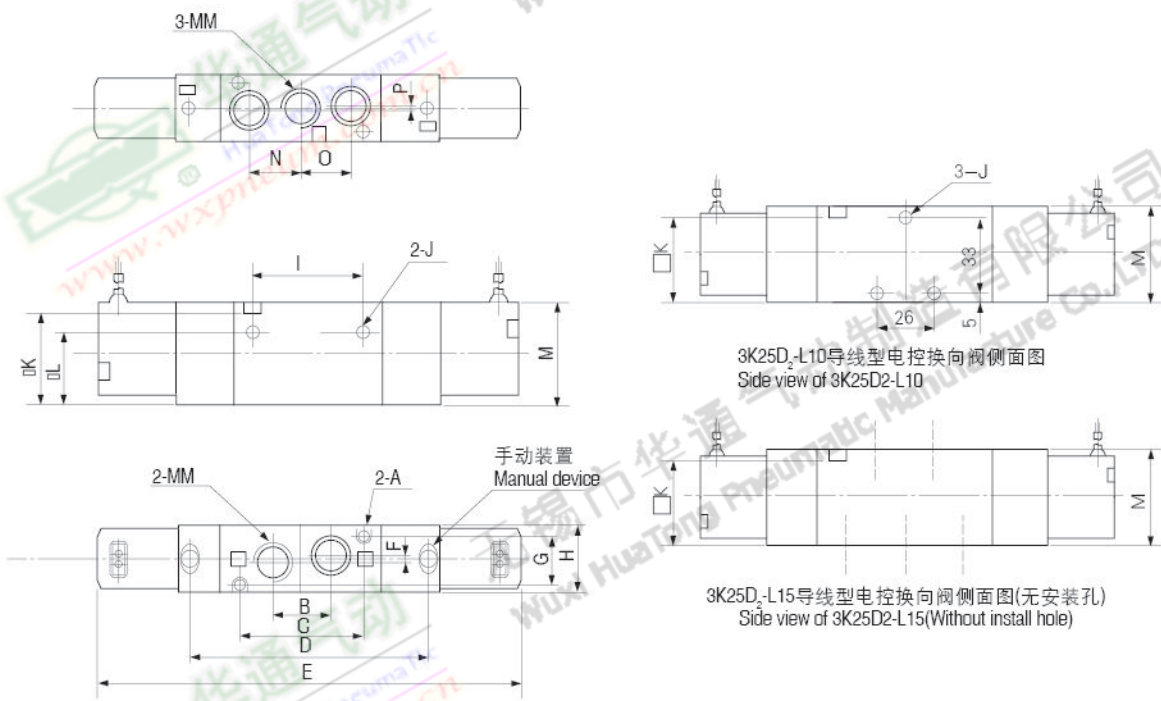
系列 **不供油滑柱式电气换向阀**
 Series **Oil Free Pneumatic / Electrical Directional Spool Valve**

3K25D₂-L

外形尺寸 Outlook & Dimension

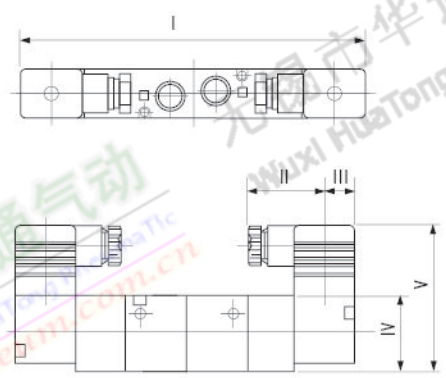
3K25D₂-L 二位五通双电控管接式电磁阀 / 3K25D₂-L Pipe Fitting 5/2 Double Solenoid Valve

(a) 导线型 / Lead Wire



尺寸Size 型号Type	A	B	C	D	E	F	G	H	I	J	K	L	M	N	O	P	MM
3K25D ₂ -L4	Ø2.7	10	19	58	127	5	11	15	10.5	Ø3.2	20.3	3	23	10.5	10.5	0	M5
3K25D ₂ -L6	Ø3.2	17	34.5	80	144	2.2	13	18	35	Ø3.2	25	21	28	13.5	13.5	2.2	Rc1/8
3K25D ₂ -L8	Ø3.2	21	45	92	168	2	18	23	44	Ø4.5	32	27.5	36	18.5	18.5	1	Rc1/4
3K25D ₂ -L10	Ø4.3	27	60	118	186	1	22.3	29	?	Ø4.5	38		43	25.5	25.5	1.5	Rc3/8
3K25D ₂ -L15	Ø3.2	30	75		196	5	26	32	-	-		-	43	30	30	1.5	Rc1/2

(b) 小型接线盒型 / Small Terminal Box



尺寸Size 型号Type	I	II	III	IV	V
3K25D ₂ -L4	127	21.5	7.5	23	41.5
3K25D ₂ -L6	144	21.5	7.5	26	46.5
3K25D ₂ -L8	168	36.5	14.5	36	60
3K25D ₂ -L10	184	36.5	14.5	40	73

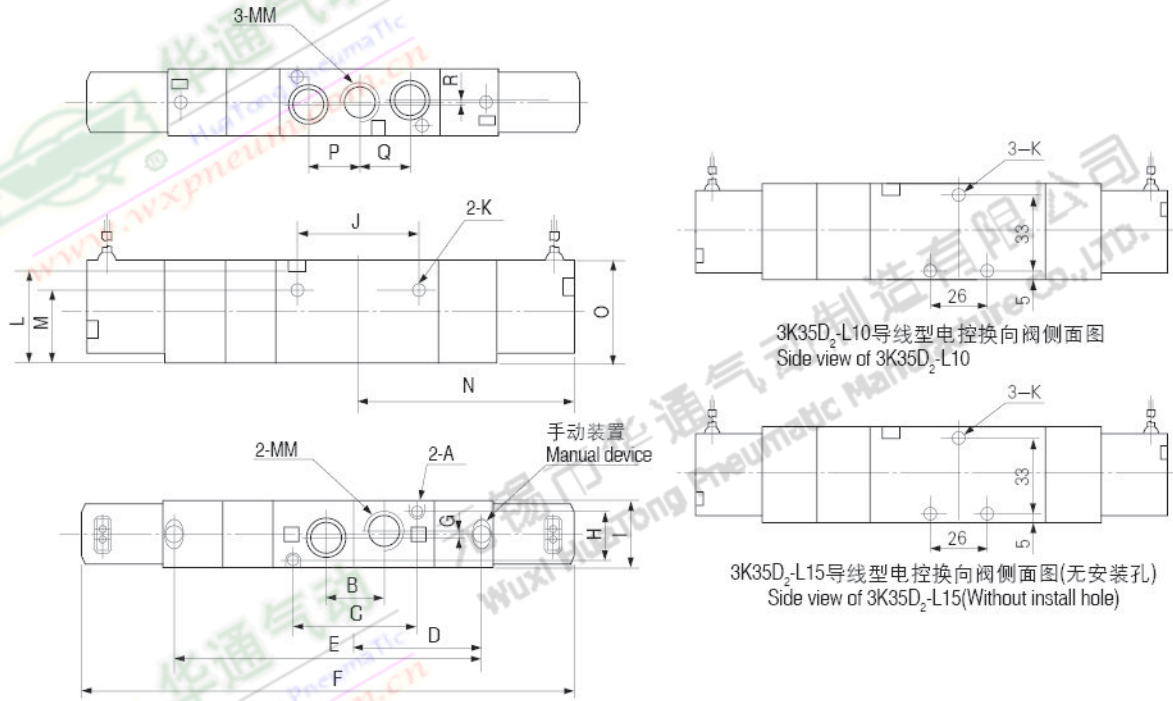
不供油滑柱式电气换向阀系列
Oil Free Pneumatic / Electrical Directional Spool Valve Series

3K
3K35D₂-L

外形尺寸 Outlook & Dimension

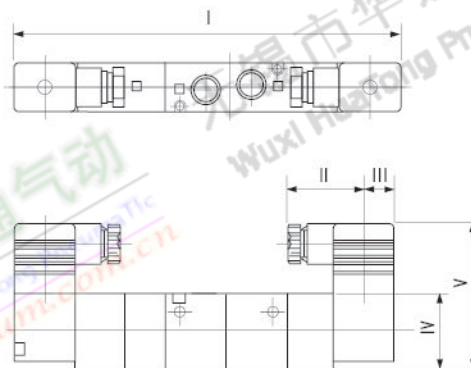
3K35D₂-L 三位五通双电控管接式电磁阀 / 3K35D₂-L Pipe Fitting 5/3 Double Solenoid Valve

(a) 导线型 / Lead Wire



尺寸Size 型号Type	A	B	C	D	E	F	G	H	I	J	K	L	M	N	O	P	Q	R	MM
3K35D ₂ -L4	Ø2.7	10	19	29	70.5	132.5	5	11	15	10.5	Ø3.2	20.3	3	63.5	23	10.5	10.5	0	M5
3K35D ₂ -L6	Ø3.2	17	34.5	40	94.5	154.5	2.2	13	18	35	Ø3.2	25	21	72	28	13.5	13.5	2.2	Rc1/8
3K35D ₂ -L8	Ø3.2	21	45	46	111	179	2	18	23	44	Ø4.5	32	27.5	84	36	18.5	18.5	1	Rc1/4
3K35D ₂ -L10	Ø4.3	27	60	60	118	210	1	22.3	29	26	Ø4.5	38	33	93	43	25.5	25.5	1.5	Rc3/8
3K35D ₂ -L15	Ø3.2	30	75	65	135	220	5	26	32	-	-	38	-	110	43	30	30	1.5	Rc1/2

(b) 小型接线盒型 / Small Terminal Box



尺寸Size 型号Type	I	II	III	IV	V
3K35D ₂ -L4	132.5	21.5	7.5	23	41.5
3K35D ₂ -L6	154.5	21.5	7.5	26	46.5
3K35D ₂ -L8	179	36.5	14.5	36	60
3K35D ₂ -L10	210	36.5	14.5	40	73