

# KLJA 系列单向节流阀

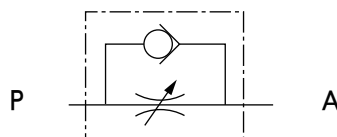
Series one way flow check valve

## KLJA-S 系列单向节流阀

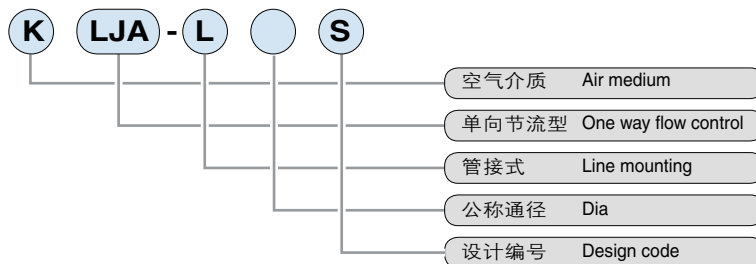
Series one way flow check valves



### 图形符号 symbols



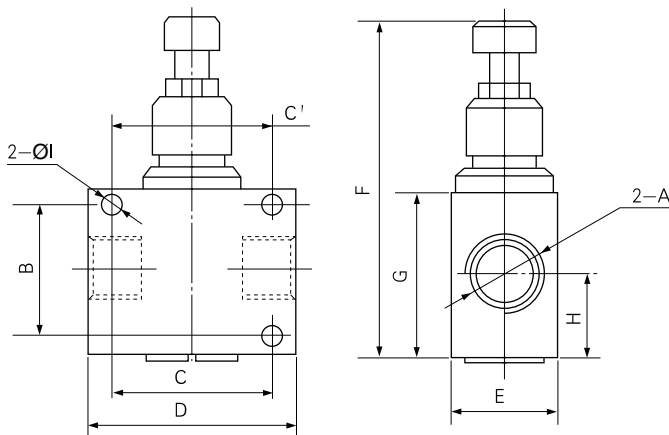
### 型号注释 Order Code



### 产品特点 Features

单向节流阀是一种广泛用于调节气缸运行速度的阀，它是单向阀和节流阀并联而成的组合式控制阀。

One way flow control valve is widely used for adjusting cylinder speed. It is an integral control valve formed up by a one way valve and a control valve.



### 外形尺寸 Outlook & Dimension

型号 Type	A(接口螺纹/ threads)		B	C	D	E	F	G	H	I
KLJA-L6S	G1/8	M10x1	25	30	40	20	62	32	16	4
KLJA-L8S	G1/4	M12x1.25	25	30	40	20	62	32	16	4
KLJA-L10S	G3/8	M16x1.5	28	38	50	25	79	40	20	5.5
KLJA-L15S	G1/2	M20x1.5	36	46	60	28	88	50	25	6.5
KLJA-L20S	G3/4	M27x2	50	66	86	48	156	68	34	6.5
KLJA-L25S	G1	M33 × 2	50	66	86	48	156	68	34	6.5

### 技术参数 Specification

型号 Type	KLJA-L6S						KLJA-L8S	KLJA-L10S	KLJA-L15S	KLJA-L20S	KLJA-L25S	
指标 Item												
公称通径直 dia(mm)	6						8	10	15	20	25	
有效截面积S值 Effective sectional area S (mm <sup>2</sup> )	控制流道 controlled air flow P→A						5	10	20	30	40	50
	自由流道 free air flow A→P						10	20	40	60	80	100
压力范围 Pressure range(MPa)							0.05~0.8					
开启压力 Start pressure(MPa)							≤0.05					
工作温度 Working temperature (°C)							-5~50					
泄流量 Leakage flow rate(mL/min)							100			200		
耐久性(万次) Life time (10K times)							200					